

TS+ Thermal Actuator

For Underfloor Heating Systems



TS+ Thermal Actuator is used in conjunction with room thermostats to control individual zones or rooms.

- **Water and dust resistant to IP54 rating**
- **Can be mounted in any orientation - even upside down**
- **Window at top of cap provides visual confirmation of valve position**
- **Standard connection (M30 x 1.5mm) to manifolds**
- **Valves can be opened and closed by hand, great for commissioning and servicing**
- **Stylish & compact**

TS+ Thermal Actuator

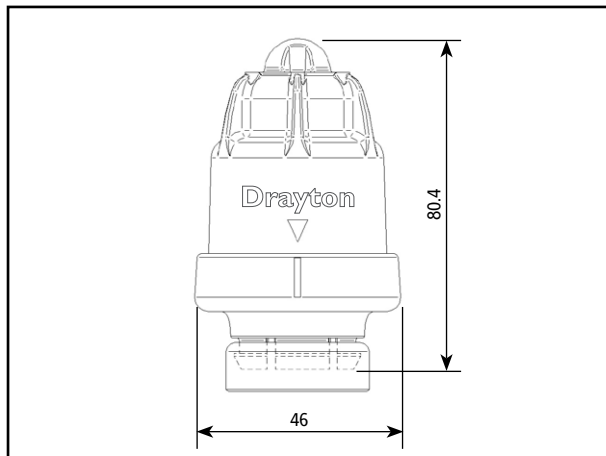
The Drayton TS+ Thermal Actuator mounts directly on any underfloor heating manifold with the standard M30x1.5 valve connection. In automatic mode the TS+ opens and closes an underfloor heating zone in response to a signal from a room thermostat calling for heat. In manual mode the TS+ can be used to open and close the valve by hand to allow for quick and easy commissioning and servicing.

In automatic operation the TS+ moves quickly between open and closed positions. The valve status can be visually checked through the transparent cover.

Technical Data

Type	TS+ 5.11/230
Product Code	0493 1001 1017
Supply Voltage	230v~ 50Hz
Power Consumption	2.5W
Inrush current	< 1A
Actuator Type	Normally closed
Valve Positions	Open or closed
Opening time	2.5mins
Connecting Cable	2 x 0.5mm ² , 100cm long
Protection	IP54
Isolation Class	II
Dimensions	80.4 x 46mm (in manual open position)
Connections	M30 x 1.5mm
Stroke	4.5mm
Weight	Approx. 120g
Storage Temperature	-25 to 70°C
Operating Temperature	0 - 50°C

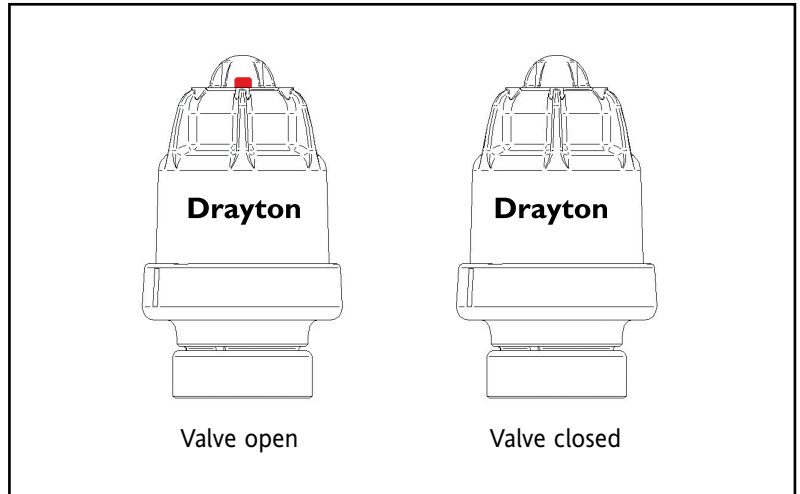
Dimensions



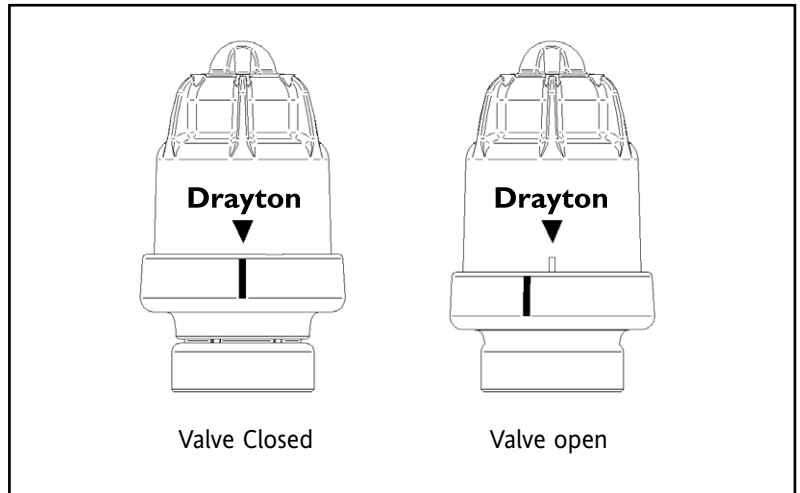
invenSYS
Controls

Customer Service Tel: 0845 130 5522
Customer Service Fax: 0845 130 0622
Technical Helpline Tel: 0845 130 7722
Email: customer.care@invenys.com
Website: www.draytoncontrols.co.uk

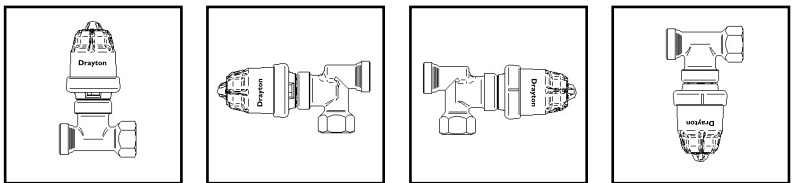
Indication of valve position in automatic operation



Push-to-turn manual position



- Can be mounted in any orientation - even upside down



Available from:



D80-3