



RT212

Thermostatic Radiator Valve

Drayton

by **Schneider** Electric

RT212 Thermostatic Radiator Valve



We have upgraded our entry-level TRV to make it better than ever:

- Now with liquid sensor for a faster response to temperature changes and improved performance over time
- Now with chrome valves and matching accessories for improved aesthetics

Flow noise through valves

It is strongly recommended that the differential pressure across the thermostatic valves should not exceed 0.2 bar to avoid flow related noise. A differential pressure regulating device, e.g. the Drayton automatic by-pass valve (Part No. 07 02 020) should be used.

Made for simplicity

- Compact design
- 8°C to 28°C setting range
- Range limiting
- 8°C frost protection setting
- Positive off position
- Double gland seal
- Reverse flow body (15mm angle)
- M30 x 1.5 head connection
- White wheelhead caps available (part no. 07 35 123) - converts valve body into manual valve
- Range of adaptors available for plastic (PEX) and multi-layer pipe

Flow KV Values and Seat Authority

	Kv (1K)	Kv (2K)	Kv (max)	Seat Authority
ED 15mm Angle	0.35	0.65	1.79	0.87
ED 15mm Straight	0.35	0.57	1.01	0.69

Part Numbers

Description	Part No.
New RT212 TRV with 8mm angle valve	08 09 008
New RT212 TRV with 10mm angle valve	08 09 010
New RT212 TRV with 15mm angle valve	08 09 015
New RT212 TRV sensing head	08 09 099
New RT212 TRV with 15mm straight valve	08 09 115
New RT212 TRV with 15mm angle valve and 10mm push-fit elbow	08 09 211
New RT212 TRV with 15mm straight valve and 10mm push-fit elbow	08 09 213
New RT212 TRV with 15mm angle valve and lockshield	08 09 260
New RT212 TRV with 15/10/8mm angle valve and lockshield	08 09 261
New RT212 TRV with 15mm angle valve, lockshield and 10mm push-fit elbows	08 09 263
New RT212 TRV with 15mm angle valve and DOTP lockshield	08 09 264

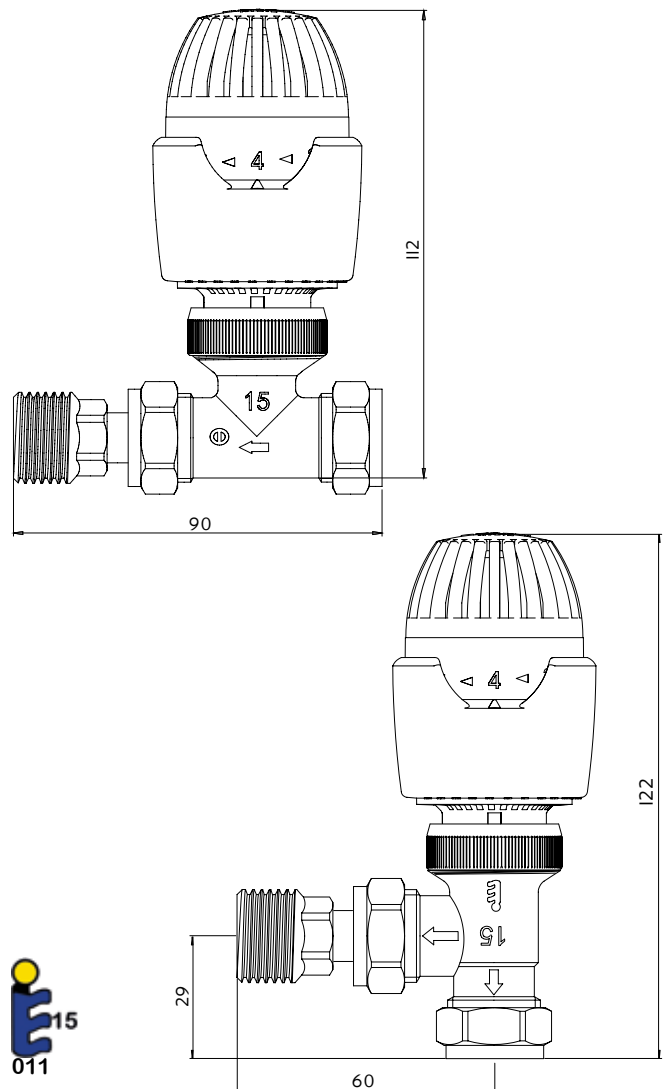
Chrome Accessories

Description	Part No.
15mm angle lockshield	07 05 900
15mm angle lockshield with DO TP	07 05 901
Drain off tail-piece	07 05 902
15mm angle lockshield with integral DO TP	07 05 903
10mm push-fit elbow	07 05 904
15mm push-fit elbow	07 05 905
15mm straight lockshield	07 05 906
10mm compression elbow	07 05 907
15mm compression elbow	07 05 908

Getting technical

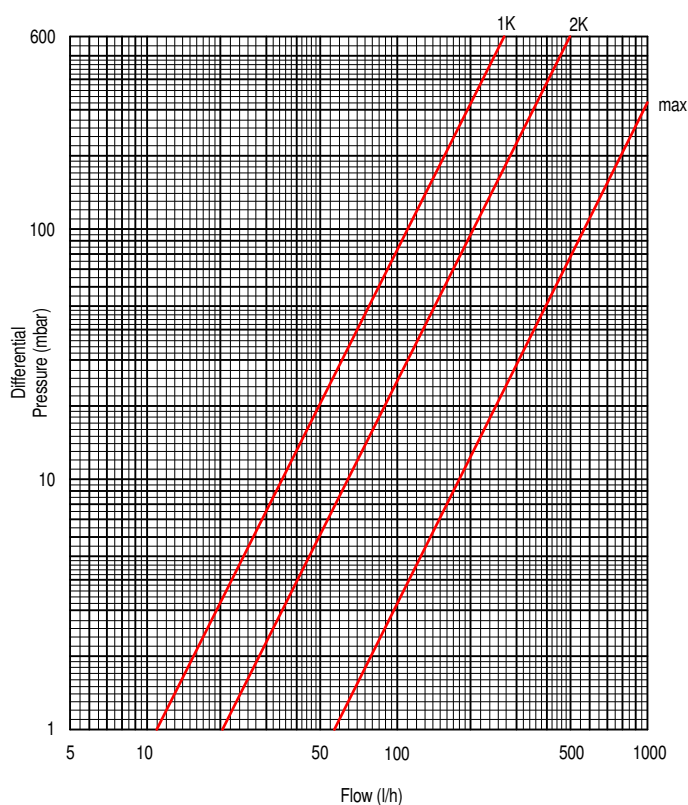
	RT212 Head
Minimum temperature setting (frost position)	* Frost (8°C)
Temperature setting range	* Frost to 6 (8°C to 28°C)
Maximum static pressure	10 bar at 65°C, 6 bar at 110°C
Maximum differential pressure	0.2 bar for quiet operation (0.6 bar max)
Hysteresis	0.45K
Differential pressure influence	0.15K
Water temperature influence	0.9K
Response time	20 minutes
Maximum flow temperature	110°C
Control accuracy	0.6K

How we measure up

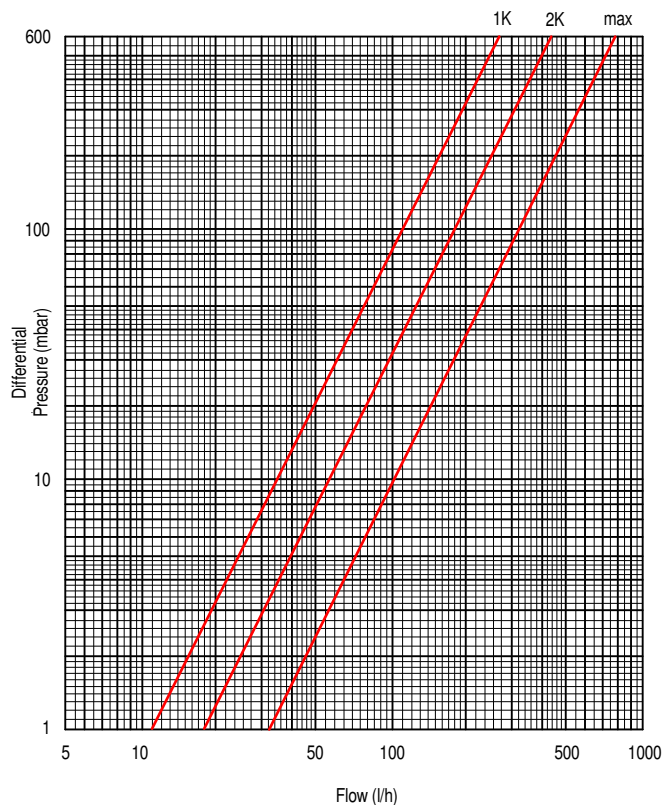


RT212 Thermostatic Radiator Valve

Flow Capacity Graph for RT212 ED
15mm Angle Valve



Flow Capacity Graph for RT212 ED
15mm Straight Valve



draytoncontrols.co.uk

Customer & Technical Support: 0333 6000 622

D27-15

In accordance with our continuous improvement procedures, we reserve the right to change design features and specifications without prior notification. The Data contained in this document is for guidance only. Drayton accepts no liability for any consequential losses, injury or damage resulting from the use of this document or the information contained within.



Join The Drayton Community
Facebook Group

**MADE IN
BRITAIN**®