



PTS1

Pipe Thermostat

Drayton

by Schneider Electric

The PTS1 Pipe Thermostat can be used in domestic or commercial installations for applications such as high or low limit.

It is typically used in conjunction with the Drayton RTS3 Air Frost Thermostat, to provide two stage frost protection for boilers and exposed pipework.

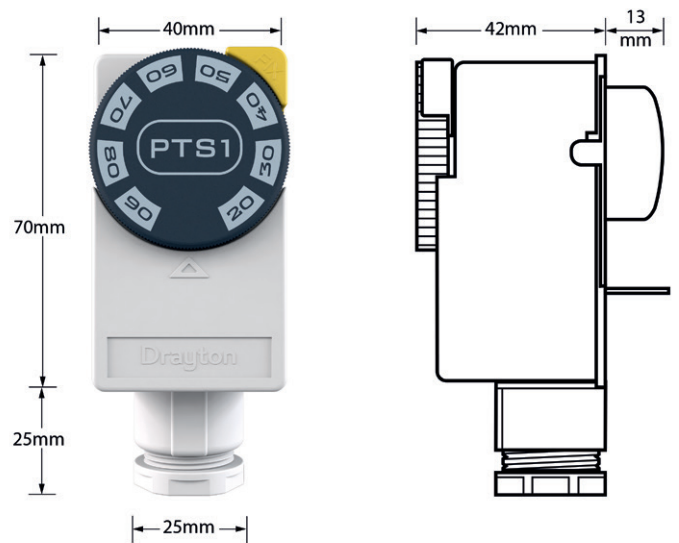
Made for simplicity

- Frost protection solution when used in conjunction with the RTS3 air frost thermostat
- Changeover contacts
- Lockable setting knob
- High or low limit applications
- Conduit adaptor/gland seal
- Concealed cover fixing screw

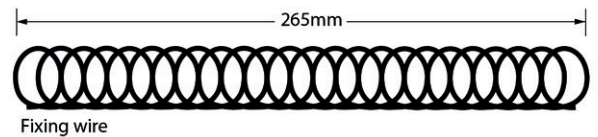
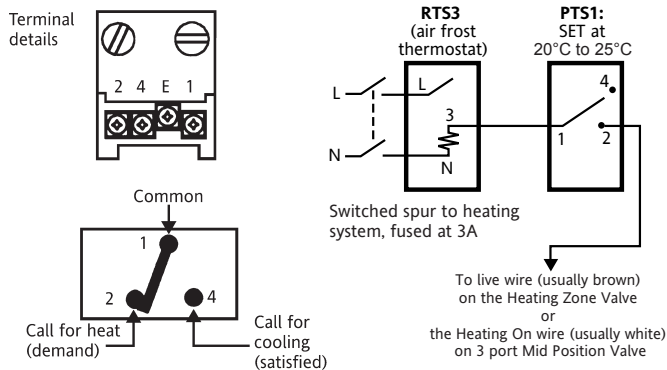
Getting technical

	PTS1
Setting range	20°C to 90°C
Ambient temperature	-35°C to 120°C
Switching differential	8k
Sensitivity	1k/min
Switch type	SPDT (voltage free)
Switch rating	15(2.5)A 230V a.c.
Sensing element	liquid
Knob locking device	Supplied
Fixing wire	Supplied
Enclosure protection rating	IP40

How we measure up



Wiring



For boiler frost protection use PTS1 in conjunction with RTS3

Product	Part No.
PTS1	03 01 260

draytoncontrols.co.uk

Customer & Technical Support: 0333 6000 622

D29-12

In accordance with our continuous improvement procedures, we reserve the right to change design features and specifications without prior notification. The Data contained in this document is for guidance only. Drayton accepts no liability for any consequential losses, injury or damage resulting from the use of this document or the information contained within.



Join The Drayton Community
Facebook Group