

PTS1

Pipe Thermostats

The PTS1 Pipe Thermostat can be used in domestic or commercial installations for applications such as high or low limit.

It is typically used in conjunction with the Drayton RTS3 Air Frost Thermostat*, to provide two stage frost protection for boilers and exposed pipework.



Features:

- Frost protection solution when used in conjunction with the RTS3 air frost thermostat
- Changeover contacts
- Lockable setting knob
- High or low limit applications
- Conduit adaptor/gland seal
- Concealed cover fixing screw

PTS1

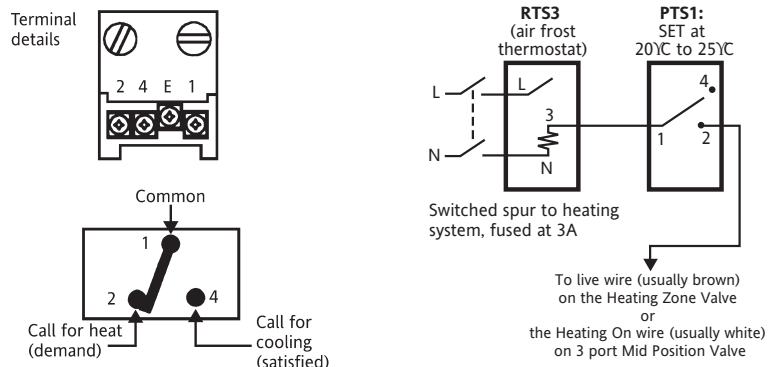
Product	Part No.
PTS1	03 01 260

Getting Technical

Model	PTS1
Setting range	20°C to 90°C
Ambient temperature	-35°C to 120°C
Switching differential	8k
Sensitivity	1k/min
Switch type	SPDT (voltage free)
Switch rating	15(2.5)A 230V a.c.
Sensing element	liquid
Knob locking device	Supplied
Fixing wire	Supplied
Enclosure protection rating	IP40

* See page 14 for frost thermostat

Wiring:



For boiler frost protection use PTS1 in conjunction with RTS3