

Digistat+ CRF

Wireless Cylinder Thermostat

Drayton's stylish wireless Digistat+CRF with tactile, audible & visual feedback. Featuring a familiar dial control with a digital display to show that the temperature has been set accurately every time.



- User adjustable Min/Max temperature setting
- Digital display situated above dial for ease of reading

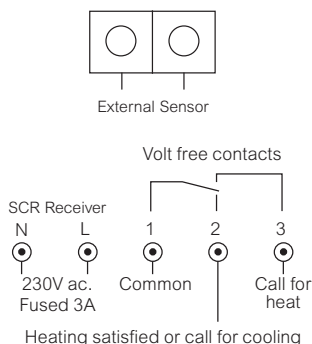
The Digistat+CRF cylinder thermostat controls the domestic hot water temperature to suit your lifestyle and gives energy savings when set between the recommended 60°C to 65°C.

Features:

- Conventional dial adjustment
Tactile dial
- 5°C setting steps
- Tactile & audible feedback via click of the dial
- Visual feedback via digital display
- Min/Max temperature setting
- Battery powered
- Digital display situated above dial for ease of reading

Wiring:

Digistat+CRF Cylinder Thermostat



Getting Technical

Model:	Digistat +CRF	SCR (receiver)
Power supply:	2 X 1.5V IEC LR6(AA) alkaline batteries	230V a.c. 50Hz
Switch type and rating:	N/A	SPDT (voltage free) 2(1)A 230V a.c. or 24V a.c./d.c
Wiring:	Designed for fixed wiring only, to comply with current IET wiring regulations (BS7671).	Ø 0.5mm ² 2 core cable between sensor and thermostat
Mounting:	Thermostat: Suitable for surface or conduit box mounting Sensor: Direct mounting onto cylinder	Industry standard wall plate
Battery life:	2 years typical	N/A
Ambient temperature:	Operating 0°C to 50°C / Storage - 20°C to 55°C	
Ambient humidity (non condensing):	Operating 25% to 90% / Storage 15% to 95%	
Temperature range:	40°C to 70°C	
Control accuracy:	+0/-8°C	
Control algorithm:	On / Off	
Temperature resolution:	5°C	
Ball pressure test:	75°C	
Pollution situation:	Degree 2	
Protection level:	IP30	
Pollution class:	2	
Software class:	A	
Radio frequency:	433 MHz	
Radio signal range:	30m typically. The range may be affected by the composition / density and number of walls between the thermostat and receiver.	
Relevant directives:	2014/53/EU Radio Equipment Directive Batteries Directive 2006/66/EC, 2011/65/EU RoHS Directive	
Applied standards:	EN60730-1; EN60730-2-9 EN 300 220-2; EN 301 489-3	

Digistat+CRF RF

Product	Part No.
Digistat+CRF cylinder thermostat & SCR & sensor	13616
Digistat+CRF SCR receiver spare	22598
Digistat+CRF transmitter spare	13618
Digistat+CRF thermostat spare	13619